

## hVI S Series Industrial Camera

### Basic Parameters

Camera	
Image Formats	Mono8 <sup>1)</sup> , Mono16 <sup>1)</sup> , Bayer8 <sup>2)</sup> , Bayer16 <sup>2)</sup>
Interface	GigE (1000Mbit/s)
Synchronicity	Via external trigger, software trigger or free running
Camera internal processing	external trigger for anti-shake function, hotspot fix, lookup table
Machinery / Electronics	
Dimensions	29mm x 29mm x 29mm
Operating temperature	0°C~50°C
Lens mount	C mount
Flash Sync	One photocoupler
External trigger	One photocoupler
Power supply	12VDC(±10%) 6-pin Hirose connector
Weight	~50g
Software	
Driver	SDK or GigE Vision Standard
Operating system	Windows XP, Win7, 32bit & 64bit
Compatibility	GigE Vision, GenICam, GenTL



### Features:

- Resolution from VGA to 14 million pixels
- Small size: 29mm x 29mm x 29mm
- Low power consumption: 1.6~2.5w
- GigE Vision (1000Mbit/s)

### Applications:

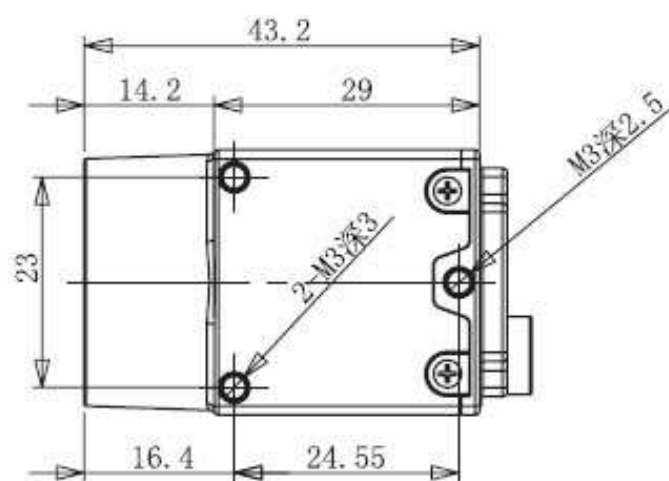
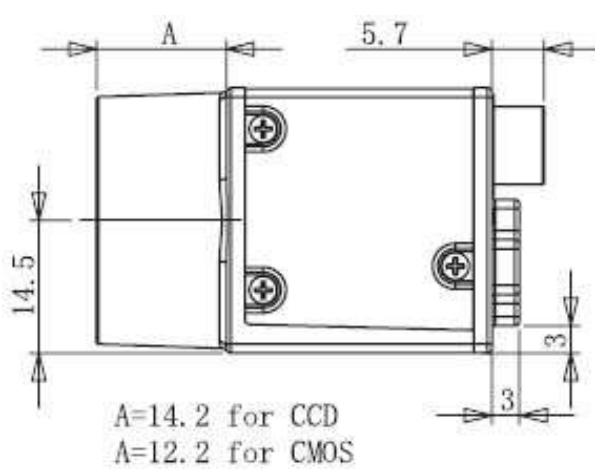
- Semiconductors & components inspection
- Manufacturing quality control
- Food and Beverages inspection
- Packaging Industry
- Pharmaceutical Industry
- Intelligent Transportation System
- Microscope
- Medicine & life science

Note : 1) only for mono models ; 2)only for color models

## Specification

Model	Type	Resolution	Sensor Size	Pixel Size $\mu\text{m}$	Frame Rate Fps <sup>1)</sup>	Bit depth	Shutter	Color	Power Consumption
hVI-S-0001SM/C	CMOS	640 x 480	1/6"	3.75	115.0	10	global	Mono / Color	1.7w
hVI-S-0003DM/C	CCD	640 x 480	1/3"	7.50	69.7	12	global	Mono / Color	1.7w
hVI-S-0101SM/C	CMOS	1280 x 960	1/3"	3.75	60.0	12	global	Mono / Color	1.7w
hVI-S-0202DM/C	CCD	1280 x 960	1/3"	3.75	39.8	12	global	Mono / Color	1.7w
hVI-S-0202DM/C	CCD	1600 x 1200	1/1.8"	4.40	39.7	14	global	Mono / Color	2.5w
hVI-S-0203DM/C	CCD	1600 x 1200	1/1.8"	4.40	19.9	14	global	Mono / Color	2.4w
hVI-S-0501SM/C	CMOS	2592 x 1944	1/2.5"	2.20	14.8	12	rolling / global	Mono / Color	1.6w
hVI-S-0501DM	CCD	2456 x 2058	2/3"	3.45	7.5	14	global	Mono	2.5w
hVI-S-0502DM/C	CCD	2456 x 2058	2/3"	3.45	14.9	14	global	Mono / Color	2.5w
hVI-S-1401SC	CMOS	4384 x 3288	1/2.3"	1.40	7.0	8	rolling	Color	2.4w

## Installation



Note : 1) Full resolution

